

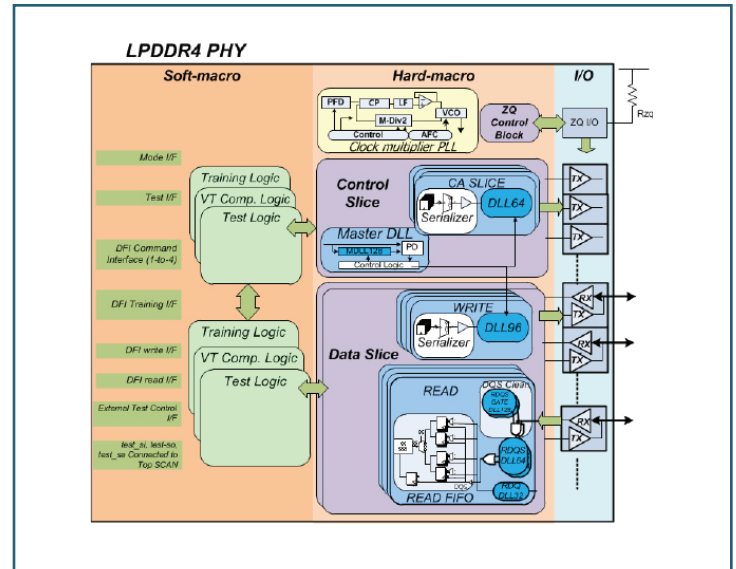
LPDDR4X PHY

Overview

This PHY supports 4.266Gbps LPDDR4X with a 16-bit 1-channel configuration. It is DFI4.0 compliant with frequency ratios of 1:4 and 1:2.

Key Features

- 8nm low power CMOS device technology
- Supports 4.266 Gbps LPDDR4X
- Off-chip driver (OCD)
- Support Retention IO
- On-die term (VSSQ-TERM)
- Auto training after memory initialization
 - o Command bus training
 - o Write leveling
 - o Auto-DQS cleaning
 - o Gate training
 - o Write/Read bit training
 - o Vref CA/DQ training
- Power supply
 - o 0.75V PHY Core Voltage (Typ.)
 - o 0.6V for LPDDR4X IO



Deliverables

- Datasheet
- User guide
- Verilog model
- Timing DK
- CDL netlist
- Layout (GDSII or OAS)

For more information, please contact us at IP@silvaco.com.

©Copyright Silvaco, Inc. All rights reserved. Silvaco is a registered trademark of Silvaco, Inc. Samsung Foundry is a trademark of Samsung Electronics Co. Ltd. All other names mentioned herein are trademarks or registered trademark of their respective owners.

All information provided is for reference purposes only and may be changed without notice.