

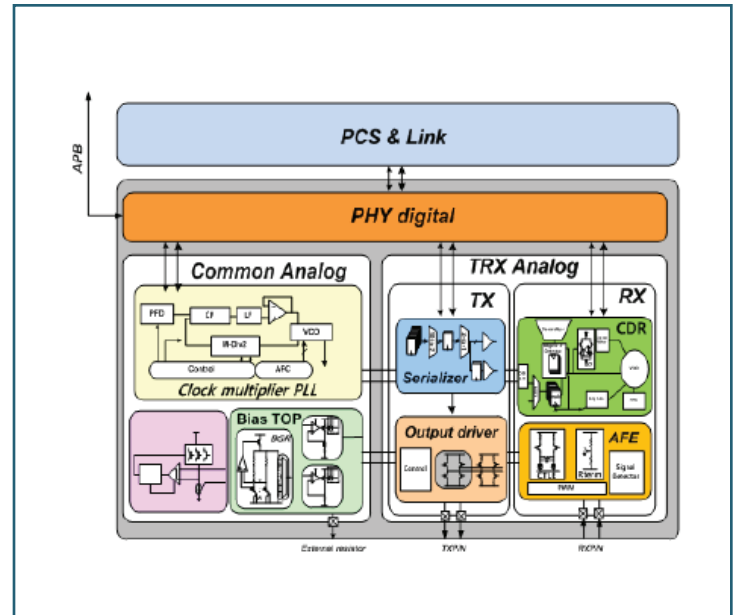
## PCIe PHY n-Lane

### Overview

The Samsung Foundry PCIe PHY IP is a hard macro PHY for the PCIe protocol. IO pads and ESD structures are included with extensive built-in self test features such as loopback and scan support. It offers a cost-effective and low-power solution. It builds on silicon-proven designs that are in volume production.

### Key Features

- Samsung Foundry 10nm low power CMOS device technology
- 1.8V, 0.85V dual power supply
- Compliant to PCIe Base 4.0 specification
- Supports Gen1, Gen2, Gen3, and Gen4
- Channel Configuration for Data Lanes
  - Common (CMN) and 1/2/4 Data Lanes
- Supports the following pre-emphasis levels
  - - 3.5/-6dB for Gen1/2
  - 3-tap FIR with resolution of 1/36 for Gen3 and Gen4
- 100MHz reference clock is required
- Supports 100MHz differential clock I/O
- Built-in self test capable of producing and checking PRBS random patterns



### Deliverables

- Front-end DK: Timing LIB, Verilog model, sample test bench
- Back-end DK: Physical view LEF, GDSII layout, DRC, LVS
- Documentation: Datasheet and user guide

# SAMSUNG Foundry

For more information, please contact us at [IP@silvaco.com](mailto:IP@silvaco.com).

©Copyright Silvaco, Inc. All rights reserved. Silvaco is a registered trademark of Silvaco, Inc. Samsung Foundry is a trademark of Samsung Electronics Co. Ltd. All other names mentioned herein are trademarks or registered trademark of their respective owners.

All information provided is for reference purposes only and may be changed without notice.

# SILVACO

HEADQUARTERS

2811 Mission College Boulevard, 6th Floor  
Santa Clara, CA 95054

Phone: 408-567-1000

Fax: 408-496-6080



CALIFORNIA

[sales@silvaco.com](mailto:sales@silvaco.com)

408-567-1000

MASSACHUSETTS

[masales@silvaco.com](mailto:masales@silvaco.com)

978-323-7901

TEXAS

[txsales@silvaco.com](mailto:txsales@silvaco.com)

512-418-2929

JAPAN

[jpsales@silvaco.com](mailto:jpsales@silvaco.com)

EUROPE

[eusales@silvaco.com](mailto:eusales@silvaco.com)

FRANCE

[eusales@silvaco.com](mailto:eusales@silvaco.com)

KOREA

[krsales@silvaco.com](mailto:krsales@silvaco.com)

TAIWAN

[twsales@silvaco.com](mailto:twsales@silvaco.com)

SINGAPORE

[sgsales@silvaco.com](mailto:sgsales@silvaco.com)

CHINA

[cnsales@silvaco.com](mailto:cnsales@silvaco.com)

[WWW.SILVACO.COM](http://WWW.SILVACO.COM)

Rev 012720\_02

71303