

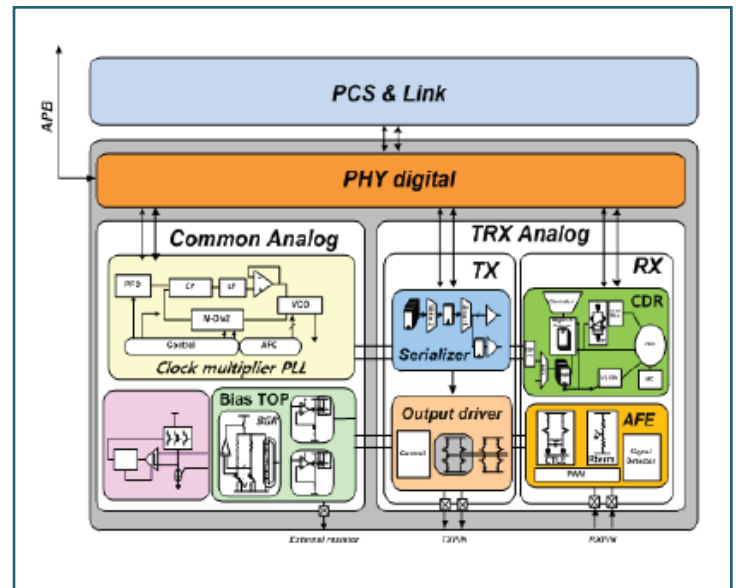
MIPI M-PHY HS-G3 2-Lane

Overview

The Samsung Foundry MIPI M-PHY IP is a hard macro PHY for the UFS protocol. IO pads and ESD structures are included with extensive built-in self test features such as loopback and scan support. It offers a cost-effective and low-power solution. It builds on silicon-proven designs that are in volume production.

Key Features

- Samsung Foundry 10nm low power CMOS device technology
- 1.8V, 0.85V dual power supply
- Compliant to MPHY 3.1 specification
- Supports HS-G1/HS-G2/HS-G3 Series A and B (Series A: 1.248G, 2.496G, 4.992 Gbps, Series B: 1.456G, 2.912G, 5.824 Gbps)
- Supports PWM G1 to G4 (3 M to 72 Mbps)
- Channel Configuration for Data Lanes
 - o Common (CMN) and 2 Data Lanes
- Supports the following pre-emphasis levels
 - o - 1.5/3/6dB
- 19.2M or 26MHz reference clock is required
- Built-in self test capable of producing and checking PRBS random patterns



Deliverables

- Front-end DK: Timing LIB, Verilog model, sample test bench
- Back-end DK: Physical view LEF, GDSII layout, DRC, LVS
- Documentation: Datasheet and user guide

SAMSUNG Foundry

For more information, please contact us at IP@silvaco.com.

©Copyright Silvaco, Inc. All rights reserved. Silvaco is a registered trademark of Silvaco, Inc. Samsung Foundry is a trademark of Samsung Electronics Co. Ltd. All other names mentioned herein are trademarks or registered trademark of their respective owners.

All information provided is for reference purposes only and may be changed without notice.

SILVACO

HEADQUARTERS

2811 Mission College Boulevard, 6th Floor

Santa Clara, CA 95054

Phone: 408-567-1000

Fax: 408-496-6080



CALIFORNIA

sales@silvaco.com

408-567-1000

MASSACHUSETTS

masales@silvaco.com

978-323-7901

TEXAS

txsales@silvaco.com

512-418-2929

JAPAN

jpsales@silvaco.com

EUROPE

eusales@silvaco.com

FRANCE

eusales@silvaco.com

KOREA

krsales@silvaco.com

TAIWAN

twsales@silvaco.com

SINGAPORE

sgsales@silvaco.com

CHINA

cnsales@silvaco.com