

0.8V 550mA Linear Voltage Regulator

Overview

The linear voltage regulator provides a 0.8V regulated output. It consists of an active mode regulator, a sleep mode regulator and a reference generator. It can deliver up to 550mA in active mode and 20mA in sleep mode. The operational junction temperature range is of -40 to 125°C

Key Features

- 14nm Low Power CMOS device technology
- 1.2V, 1.8V dual power supply
- Operational Junction Temperature (T_j): -40 to 125°C
- Output voltage: 0.8V (Typical)
- Programmable output voltage with 4-bit Control (25mV step)
- Driving capability: Up to 550mA@active mode, up to 20mA@sleep mode
- Operation mode: Active mode, sleep mode
- Output capacitor: 1uF (Typical)

Deliverables

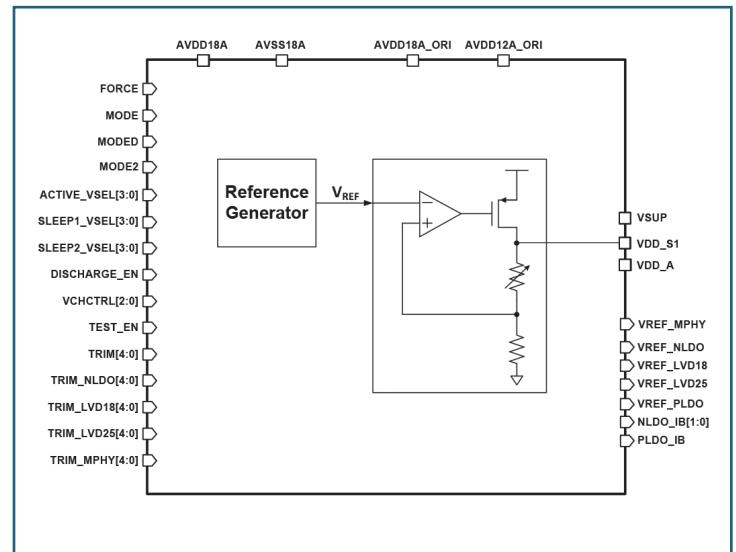
- Data Sheet
- User Guide
- Verilog model
- Timing DK
- CDL netlist
- Layout (GDSII or OAS)

SAMSUNG Foundry

For more information, please contact us at IP@silvaco.com.

©Copyright Silvaco, Inc. All rights reserved. Silvaco is a registered trademark of Silvaco, Inc. Samsung Foundry is a trademark of Samsung Electronics Co. Ltd. All other names mentioned herein are trademarks or registered trademark of their respective owners.

All information provided is for reference purposes only and may be changed without notice.



Applications

- Mobile/Consumer/Network/IoT/Automotive

SILVACO

HEADQUARTERS

2811 Mission College Boulevard, 6th Floor
Santa Clara, CA 95054

Phone: 408-567-1000

Fax: 408-496-6080



CALIFORNIA

sales@silvaco.com
408-567-1000

MASSACHUSETTS

masales@silvaco.com
978-323-7901

TEXAS

txsales@silvaco.com
512-418-2929

JAPAN

jpsales@silvaco.com

EUROPE

eusales@silvaco.com

FRANCE

eusales@silvaco.com

KOREA

krsales@silvaco.com

TAIWAN

twsales@silvaco.com

SINGAPORE

sgsales@silvaco.com

CHINA

cnsales@silvaco.com