

12-Bit 320 MS/s Dual ADC

Overview

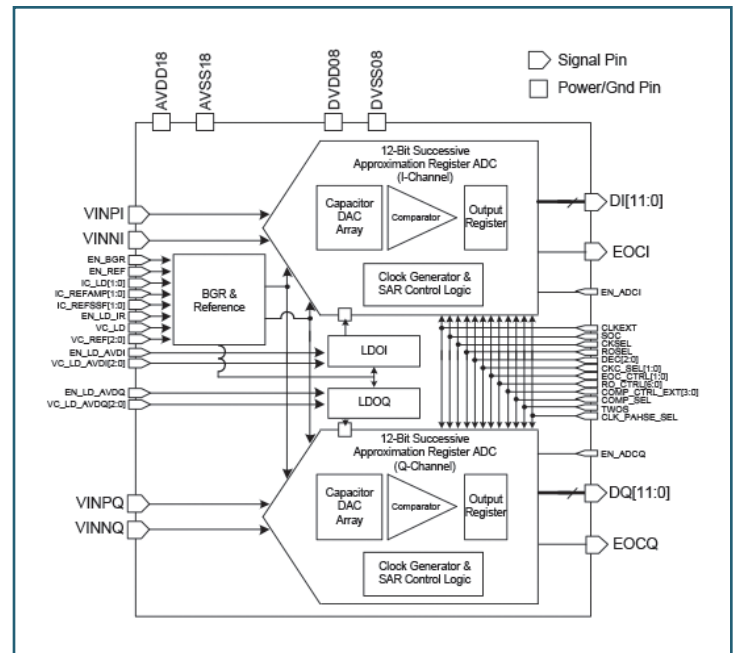
This is a 12-bit 2-channel Analog-to-Digital Converter (ADC). It converts analog input signal to 12-bit binary digital output codes at a maximum conversion rate of 320 MS/s. The device is a Successive Approximation Register (SAR) type ADC, which mainly consists of an I-channel ADC, a Q-channel ADC, two LDOs for each ADC, a Band-Gap Reference (BGR), and a reference buffer.

Key Features

- 14nm Low Power CMOS device technology
- Dual power supply: 1.8 V and 0.9 V
- Conversion rate: 320MS/s
- Analog input range: 1.0Vpp
- SNDR: 60dB @ 80MHz

Deliverables

- Data Sheet
- User Guide
- Verilog model
- Timing DK
- CDL netlist
- Layout (GDSII or OAS)



Applications

- Mobile/Consumer/Network/IoT

SAMSUNG Foundry

For more information, please contact us at IP@silvaco.com.

©Copyright Silvaco, Inc. All rights reserved. Silvaco is a registered trademark of Silvaco, Inc. Samsung Foundry is a trademark of Samsung Electronics Co. Ltd. All other names mentioned herein are trademarks or registered trademark of their respective owners.

All information provided is for reference purposes only and may be changed without notice.

SILVACO

HEADQUARTERS

2811 Mission College Boulevard, 6th Floor
Santa Clara, CA 95054

Phone: 408-567-1000

Fax: 408-496-6080



CALIFORNIA

sales@silvaco.com
408-567-1000

MASSACHUSETTS

masales@silvaco.com
978-323-7901

TEXAS

txsales@silvaco.com
512-418-2929

JAPAN

jpsales@silvaco.com

EUROPE

eusales@silvaco.com

FRANCE

eusales@silvaco.com

KOREA

krsales@silvaco.com

TAIWAN

twsales@silvaco.com

SINGAPORE

sgsales@silvaco.com

CHINA

cnsales@silvaco.com