

APB Interrupt Controller

DESCRIPTION

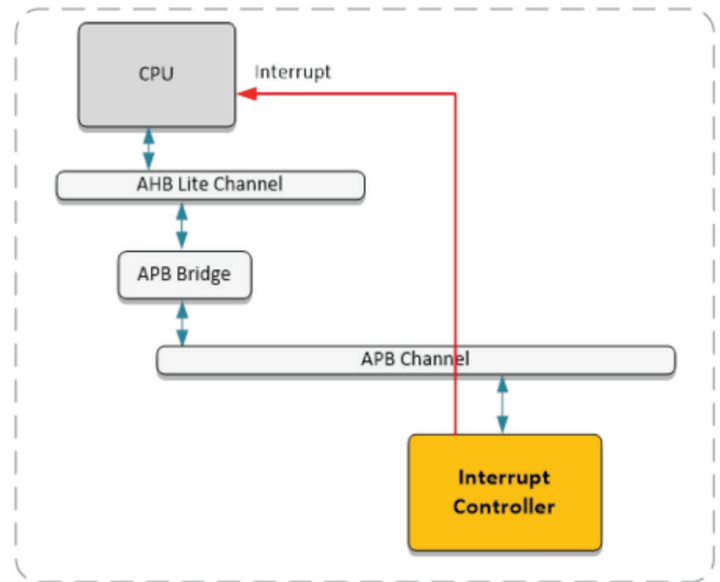
The interrupt controller monitors interrupts from all other modules within the system and issues interrupt requests to the processor when necessary. The interrupt controller is scalable to support from 1 to 32 interrupt sources. It also provides enable set and enable clear mechanisms to prevent dangerous read-modify-write operations. It provides active high & active low IRQ & FIQ interrupt request outputs.

APB INTERRUPT CONTROLLER IP CORE FEATURES

- AMBA® APB Compatible
- Up to 32 independent interrupt sources
- FIQ and IRQ outputs
- Single bit enable and clear control

APB INTERRUPT CONTROLLER IP CORE DELIVERABLES

- Verilog Source
- Complete Test Environment
- AHB Bus Functional Model
- C-Sample Code



For more information, please contact us at ip@silvaco.com.