

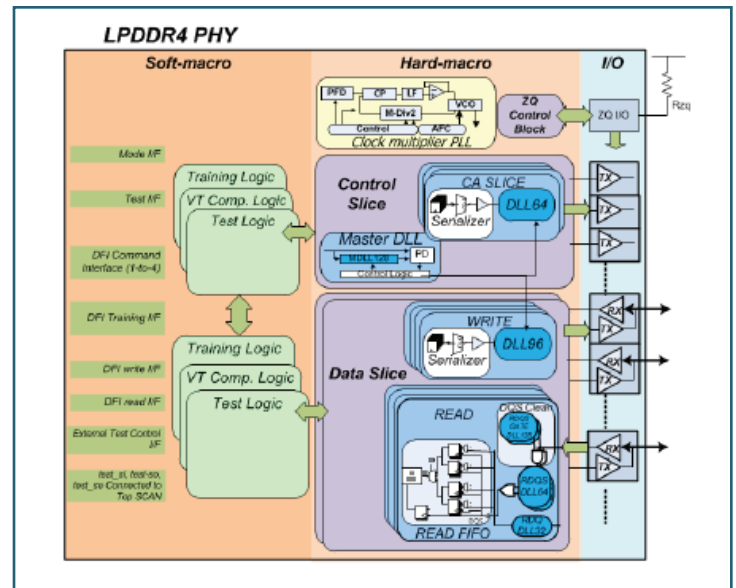
LPDDR4X PHY

Overview

The LPDDR4X PHY can support 4.2Gbps LPDDR4 with a 16-bit 1-channel configuration. It is DFI4.0 compliant with frequency ratios of 1:4 and 1:2.

Key Features

- Samsung Foundry 10nm low power CMOS device technology
- Supports 4.2Gbps LPDDR4X
- Off-chip driver (OCD)
- Supports Retention IO
- On-die term (VSSQ-TERM)
- Auto training after Memory initialization
 - o Command Bus Training
 - o Write Leveling
 - o Auto-DQS Cleaning
 - o Gate Training
 - o Write/Read Bit Training
 - o Vref CA/DQ Training
- Power supply
 - o 0.75V PHY Core Voltage (Typ.)
 - o 0.6V for LPDDR4 IO



Deliverables

- Model and soft macro netlist
- Timing DK
- DFT model and netlist
- CIR, GDS (GDS2) and LEF
- Datasheet

SAMSUNG Foundry

For more information, please contact us at IP@silvaco.com.

©Copyright Silvaco, Inc. All rights reserved. Silvaco is a registered trademark of Silvaco, Inc. Samsung Foundry is a trademark of Samsung Electronics Co. Ltd. All other names mentioned herein are trademarks or registered trademark of their respective owners.

All information provided is for reference purposes only and may be changed without notice.

SILVACO

HEADQUARTERS
2811 Mission College Boulevard, 6th Floor
Santa Clara, CA 95054
Phone: 408-567-1000
Fax: 408-496-6080



CALIFORNIA

sales@silvaco.com
408-567-1000

MASSACHUSETTS

masales@silvaco.com
978-323-7901

TEXAS

txsales@silvaco.com
512-418-2929

JAPAN

jpsales@silvaco.com

EUROPE

eusales@silvaco.com

FRANCE

eusales@silvaco.com

KOREA

krsales@silvaco.com

TAIWAN

twsales@silvaco.com

SINGAPORE

sgsales@silvaco.com

CHINA

cnsales@silvaco.com

WWW.SILVACO.COM