

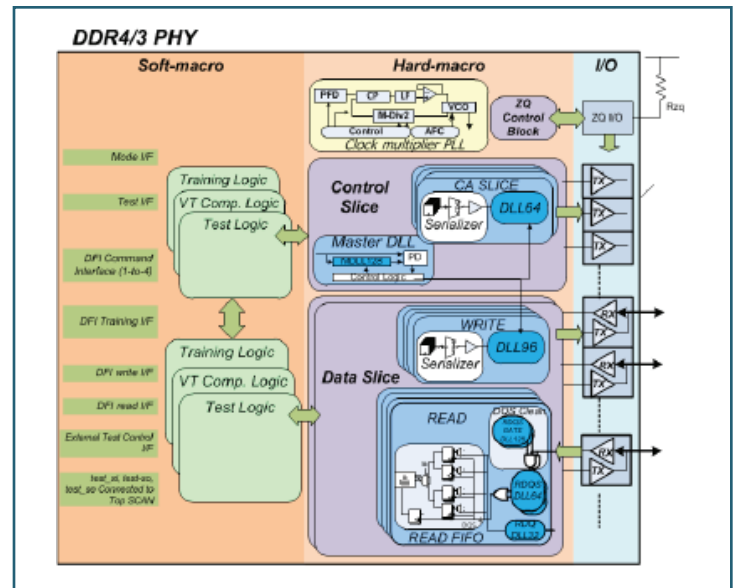
DDR4/DDR3 PHY

Overview

The Samsung Foundry DDR combo PHY supports 3.2Gbps DDR4 or 2.1Gbps DDR3 with a 32/64-bit 1-channel configuration. It is DFI4.0 compliant with a frequency ratio of 1:2.

Key Features

- Samsung Foundry 10nm low power CMOS device technology
- Supports 3.2Gbps DDR4
- Supports 2.13Gbps DDR3
- Off-chip driver (OCD)
- Supports Retention IO
- On-die term (VDDQ-TERM, Center-Tap TERM)
- Auto training after memory initialization
 - o Command Bus Training
 - o Write Leveling
 - o Auto-DQS Cleaning (DDR4)
 - o Gate Training (DDR3)
 - o Write/Read Bit Training
 - o Vref CA/DQ Training
 - o Voh Calibration
- Power supply
 - o 1.0V PHY Core Voltage (Typ.)
 - o 1.2V for DDR4 IO, 1.35 for DDR3 IO



Deliverables

- Model and soft macro netlist
- Timing DK
- DFT model and netlist
- CIR, GDS (GDS2) and LEF
- Datasheet

SAMSUNG Foundry

For more information, please contact us at IP@silvaco.com.

©Copyright Silvaco, Inc. All rights reserved. Silvaco is a registered trademark of Silvaco, Inc. Samsung Foundry is a trademark of Samsung Electronics Co. Ltd. All other names mentioned herein are trademarks or registered trademark of their respective owners.

All information provided is for reference purposes only and may be changed without notice.

SILVACO

HEADQUARTERS
 2811 Mission College Boulevard, 6th Floor
 Santa Clara, CA 95054
 Phone: 408-567-1000
 Fax: 408-496-6080



CALIFORNIA

sales@silvaco.com
 408-567-1000

MASSACHUSETTS

masales@silvaco.com
 978-323-7901

TEXAS

txsales@silvaco.com
 512-418-2929

JAPAN

jpsales@silvaco.com

EUROPE

eusales@silvaco.com

FRANCE

eusales@silvaco.com

KOREA

krsales@silvaco.com

TAIWAN

twsales@silvaco.com

SINGAPORE

sgsales@silvaco.com

CHINA

cnsales@silvaco.com