

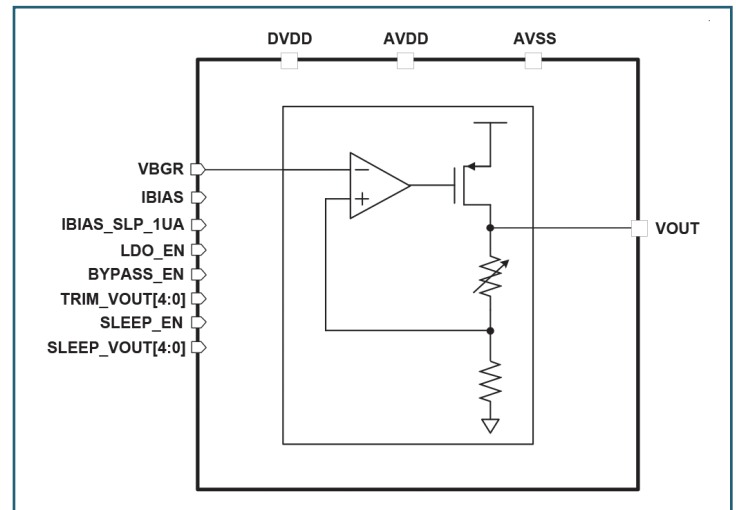
## 1.8V to 1.2V Linear Voltage Regulator

### Overview

This linear voltage regulator provides 1.2V regulated output voltage. It consists of an active mode regulator, a sleep mode regulator and a bypass power switch. It can deliver up to 500mA in active mode and 5mA in sleep mode. The operational junction temperature range is from -40 to 125°C

### Key Features

- 14nm Low Power Plus CMOS device technology
- 1.8V, 0.8V dual power supply
- Operational Junction Temperature (T<sub>j</sub>): -40 to 125°C
- Output voltage: 1.2V (Typical)
- Programmable output voltage with 5-bit control (12mV step)
- Driving capability: Up to 500mA@active mode, up to 50mA@sleep mode
- Operation mode: Active mode, sleep mode, bypass mode, power-off mode
- Output capacitor: 1uF (Typical)



### Deliverables

- Data Sheet
- User Guide
- Verilog model
- Timing DK
- CDL netlist
- Layout (GDS2 or OAS)

### Applications

- Mobile/Consumer/Network/IoT

# SAMSUNG Foundry

For more information, please contact us at [IP@silvaco.com](mailto:IP@silvaco.com).

©Copyright Silvaco, Inc. All rights reserved. Silvaco is a registered trademark of Silvaco, Inc. Samsung Foundry is a trademark of Samsung Electronics Co. Ltd. All other names mentioned herein are trademarks or registered trademark of their respective owners.

All information provided is for reference purposes only and may be changed without notice.

# SILVACO

HEADQUARTERS

2811 Mission College Boulevard, 6th Floor  
Santa Clara, CA 95054

Phone: 408-567-1000

Fax: 408-496-6080



CALIFORNIA

[sales@silvaco.com](mailto:sales@silvaco.com)

408-567-1000

MASSACHUSETTS

[masales@silvaco.com](mailto:masales@silvaco.com)

978-323-7901

TEXAS

[txsales@silvaco.com](mailto:txsales@silvaco.com)

512-418-2929

JAPAN

[jpsales@silvaco.com](mailto:jpsales@silvaco.com)

EUROPE

[eusales@silvaco.com](mailto:eusales@silvaco.com)

FRANCE

[eusales@silvaco.com](mailto:eusales@silvaco.com)

KOREA

[krsales@silvaco.com](mailto:krsales@silvaco.com)

TAIWAN

[twsales@silvaco.com](mailto:twsales@silvaco.com)

SINGAPORE

[sgsales@silvaco.com](mailto:sgsales@silvaco.com)

CHINA

[cnsales@silvaco.com](mailto:cnsales@silvaco.com)

[WWW.SILVACO.COM](http://WWW.SILVACO.COM)

Rev 090119

71121