

## 12-Bit 640 MS/s Dual DAC

### Overview

This 1-channel 12-bit 640MS/s current steering digital-to-analog Converter (DAC) is for wireless modem and connectivity applications. It has differential voltage output with typical full swing of 1.0V. This DAC has a power-down mode to reduce power consumption during inactive periods.

### Key Features

- 14nm Low Power CMOS device technology
- Dual power supply: 1.8V and 0.9V
- Resolution: 12-bit
- Output range: 0V to 1V
- Maximum conversion rate: 640MS/s
- Maximum output frequency: 80MHz
- SFDR: 60dB @ 80MHz

### Deliverables

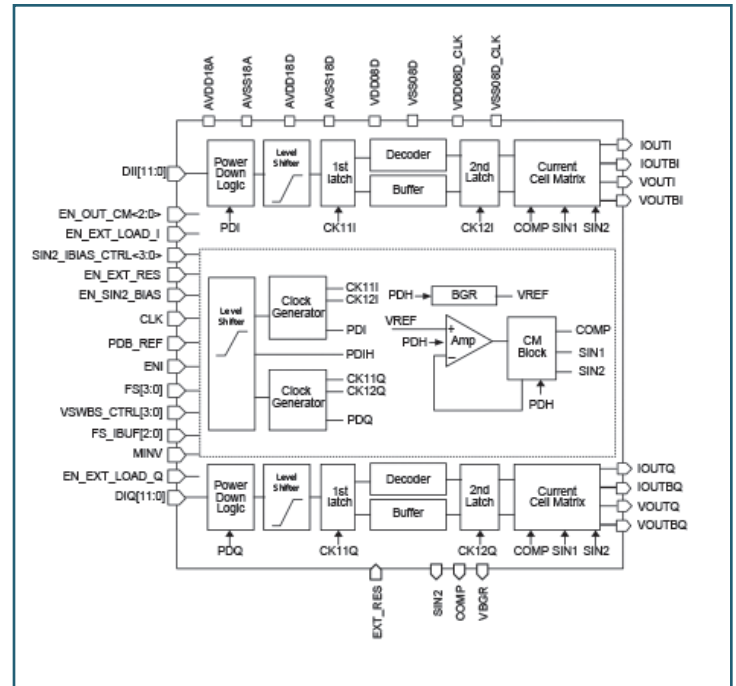
- Data Sheet
- User Guide
- Verilog model
- Timing DK
- CDL netlist
- Layout (GDSII or OAS)

# SAMSUNG Foundry

For more information, please contact us at [IP@silvaco.com](mailto:IP@silvaco.com).

©Copyright Silvaco, Inc. All rights reserved. Silvaco is a registered trademark of Silvaco, Inc. Samsung Foundry is a trademark of Samsung Electronics Co. Ltd. All other names mentioned herein are trademarks or registered trademark of their respective owners.

All information provided is for reference purposes only and may be changed without notice.



### Applications

- Mobile/Consumer/IoT

# SILVACO

HEADQUARTERS

2811 Mission College Boulevard, 6th Floor

Santa Clara, CA 95054

Phone: 408-567-1000

Fax: 408-496-6080



CALIFORNIA

[sales@silvaco.com](mailto:sales@silvaco.com)

408-567-1000

MASSACHUSETTS

[masales@silvaco.com](mailto:masales@silvaco.com)

978-323-7901

TEXAS

[txsales@silvaco.com](mailto:txsales@silvaco.com)

512-418-2929

JAPAN

[jpsales@silvaco.com](mailto:jpsales@silvaco.com)

EUROPE

[eusales@silvaco.com](mailto:eusales@silvaco.com)

FRANCE

[eusales@silvaco.com](mailto:eusales@silvaco.com)

KOREA

[krsales@silvaco.com](mailto:krsales@silvaco.com)

TAIWAN

[twsales@silvaco.com](mailto:twsales@silvaco.com)

SINGAPORE

[sgsales@silvaco.com](mailto:sgsales@silvaco.com)

CHINA

[cnsales@silvaco.com](mailto:cnsales@silvaco.com)