

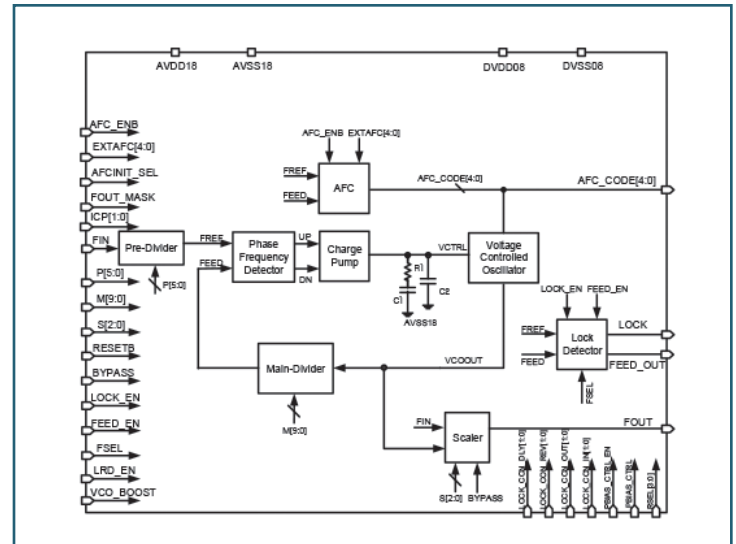
1.2GHz Integer PLL

Overview

This is a dual supply voltage integer Phase Locked Loop (PLL). It generates an output clock which is determined by a 6-bit pre-divider, 10-bit main-divider and 3-bit scaler. The input clock bypass mode, lock detection and glitch-free function are available.

Key Features

- 14nm Low Power CMOS device technology
- 1.8V, 0.9V to 0.8V dual power supply
- Operation junction temperature: -40 to 125°C
- Input frequency range: 2MHz to 300MHz
- Output frequency range: 18.8MHz to 1.2GHz
- Period Jitter: $\pm 1.5\%$ of VCO clock period
- Output clock duty ratio: 47 to 53%
- Glitch-free scaler / Lock detector/ Input bypass mode ($F_{OUT}=F_{IN}$)



Deliverables

- Datasheet
- User Guide
- Verilog model
- Timing DK
- CDL netlist
- Layout (GDS2 or OAS)

Target Applications

- DMobile/Consumer/Network/IoT

SAMSUNG Foundry

For more information, please contact us at IP@silvaco.com.

©Copyright Silvaco, Inc. All rights reserved. Silvaco is a registered trademark of Silvaco, Inc. Samsung Foundry is a trademark of Samsung Electronics Co. Ltd. All other names mentioned herein are trademarks or registered trademark of their respective owners.

All information provided is for reference purposes only and may be changed without notice.

SILVACO

HEADQUARTERS
2811 Mission College Boulevard, 6th Floor
Santa Clara, CA 95054
Phone: 408-567-1000
Fax: 408-496-6080



CALIFORNIA

sales@silvaco.com
408-567-1000

MASSACHUSETTS

masales@silvaco.com
978-323-7901

TEXAS

txsales@silvaco.com
512-418-2929

JAPAN

jpsales@silvaco.com

EUROPE

eusales@silvaco.com

FRANCE

eusales@silvaco.com

KOREA

krsales@silvaco.com

TAIWAN

twsales@silvaco.com

SINGAPORE

sgsales@silvaco.com

CHINA

cnsales@silvaco.com